



T250 Power Meter

Measurement Monitoring Analysis Communication



TAIK ELECTRIC
Metering Solutions



ARTISTIC SCREEN

A clear and easy-to-read backlit LCD screen at a wide visible angle can be read at the different installed sites.

Features

- Energy-saved protection mode
- Large legend texts shown on backlit LCD
- Plug-in output modules
- Fully programmable VT&CT ratios
- True rms measurement
- THD measurement up to 31st harmonic
- Individual current/voltage harmonics
- Relay contact, analog and pulse outputs
- Modbus RTU 485 communication
- DIN 96x96 mm enclosure
- Digital inputs for input detecting status
- Actual demand/Max demand current/active power
- Vertical bargraph indication on the measured current

DIRECT READING

A quick browse through the measured electrical parameters can be accessed.

Characteristics

Dielectric strength	IEC 60688, AC 2.3KV 1 min. between input/output/power AC 3KV 1 min. between all terminals/case
Operating temperature	0 ~ 60°C
Storage temperature	-10 ~ 70°C
Temperature coefficient	≤ 100PPM/°C
Max. humidity	95%
IP Enclosure	IP 52 (Front plate) IP 30 (Casing)
Sampling time	1 sec.
Measurements	1 φ 2W, 1 φ 3W, 3 φ 3W, 3 φ 4W
Actual demand	Amp, Watt
Max.demand	Amp, Watt
Demand time of period	1 ~ 60 min. (programmable)
Total harmonic distortion	up to 31st
Harmonic analysis	Volt, Amp
Auxiliary power supply	AC/DC 85-265V DC 20 -60V (Option)

Accuracy

Current	0.2 %
Voltage	0.2 %
Active power	0.5 %
Reactive power	0.5 %
Apparent power	0.5 %
Power factor	0.5 %
Frequency	0.05 %
Active energy	Class 0.5S (IEC 62053-22)
Reactive energy	Class 2 (IEC 62053-23)
Harmonic	2 %

Accuracy performance range

Current range	0.2 ~ 120 %
Voltage range	0.6 ~ 120 %
Power & energy range	Amp. 0.2 ~ 120%, Volt. 0.6 ~ 120 %
Power factor range	cosθ (sinθ) 0.5 ~ 1
Frequency range	45 ~ 65 Hz
Distortion level	from 10% to 120% (Volt) from 1% to 120% (Amp)

Input voltage

Voltage range (line to line)	AC 3 ~ 520V
Voltage range (line to neutral)	AC 2 ~ 300V
Maximum overload	AC 750V
Input impedance	≥ 800KΩ



Benefits

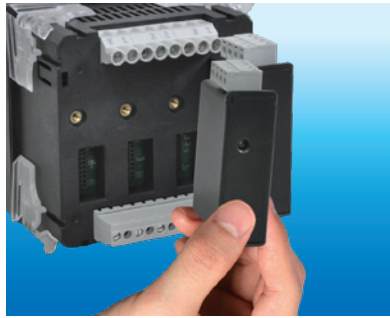
- User-friendly
- Cost effective
- Output modules on actual demand
- Direct access to the measured display
- Measurement in 1P/3P3W/3P4W systems

Standards

IEC 62053-22	IEC 61000-4-8
IEC 61000-4-2	IEC 61000-4-11
IEC 61000-4-3	IEC 55011
IEC 61000-4-4	IEC 61326-1
IEC 61000-4-5	IEC 61000-3-2
IEC 61000-4-6	IEC 61000-3-3

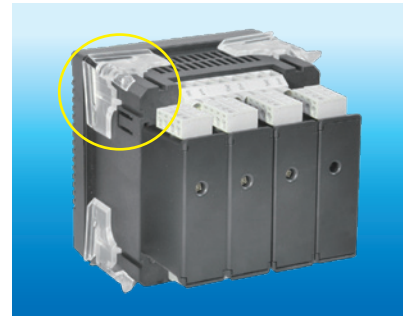
Certification

CE



EXTENDED MODULES

A extended function can flexibly be requested for installation in a way of the designed-pluggable modules.



FASTENED INSTALLATION

T250 is designed to be attached with flexible mounting clips for a secure installation onto all types of panels without using any hand tool.

Input current

Current range	AC 5A (Standard) or 1A (Option)
Maximum overload	continuous AC 6A, AC 50A 5 sec. continuous AC 15A, AC 250A 1 sec. (Option)
Input burden	≤ 0.1VA
Isolation	Each phase, AC 600V
Starting current	0.2 % F.S.

Display

Format	Backlit LCD display 4 rows of 4 digits (Electrical parameter measurements) One line of 9 digits (Energy) 3 vertical bargraphs at % for current
--------	---

Pluggable modules (Option)

Relay contacts (Module)

Energized value	1, 10, 100, 1000 pulses for 1KWH or 1KVARH
Alarm selected	V, A, W, demand A, demand Watt, Hz, THD-I, THD-V
Setting point	2 programmable setting points
Max. installation	2 pluggable modules
Relay contact	AC 240V 5A, DC 24V 5A

RS 485 Communication interface (Module)

Protocol	MODBUS, RTU
Baud rate	1200 ~ 38400
Address range	1 ~ 255
Data format	N.8.1, N.8.2, O.8.1, E.8.1
No. of meters	Up to 32 meters via RS 485
Max. installation	1 pluggable module

Analog output (Module)

Output range	DC 4-20mA
Output resistance	500Ω
No. of outputs	2 programmable parameters
Max. installation	2 pluggable modules

Digital input (Module)

Input detecting status on each module	Programming via RS 485 interface on T250
Input format	SPST contact
Max. installation	2 pluggable modules

Electromagnetic compatibility (EMC)

Electrostatic discharge	IEC 61000-4-2
Electromagnetic field immunity	IEC 61000-4-3
Electrical fast transient/burst immunity	IEC 61000-4-4
Surge immunity	IEC 61000-4-5
Immunity to conducted disturbances	IEC 61000-4-6
Power frequency magnetic field immunity	IEC 61000-4-8
Short interruptions and voltage variations immunity	IEC 61000-4-11
Harmonic current emissions	IEC 61000-3-2
Voltage changes, voltage fluctuations and flicker	IEC 61000-3-3

PRODUCT CODE

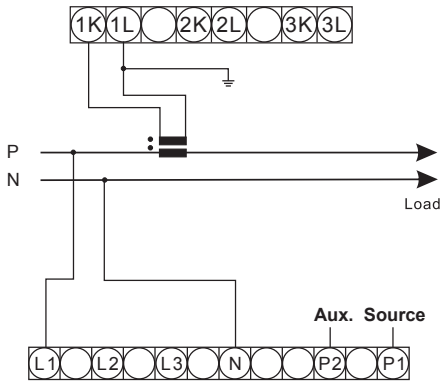
Product	Code No.
T250 Power Meter	T250

Options

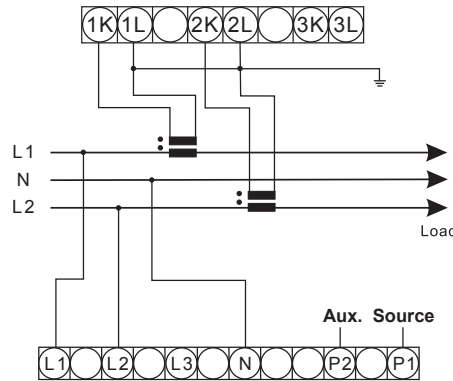
RS485	MD01
Relay outputs	MD02
Analog outputs	MD03
Digital inputs	MD04

CONNECTIONS

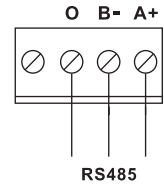
1 Phase 2 Wire



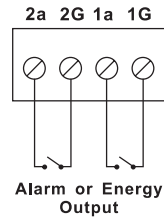
1 Phase 3 Wire



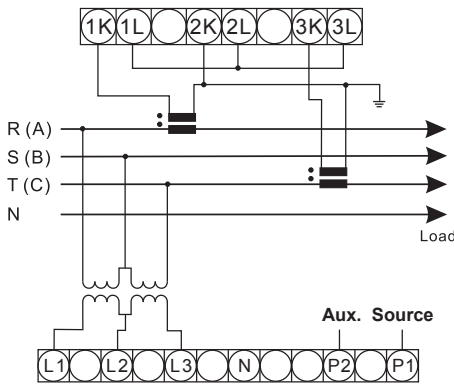
RS485 Output



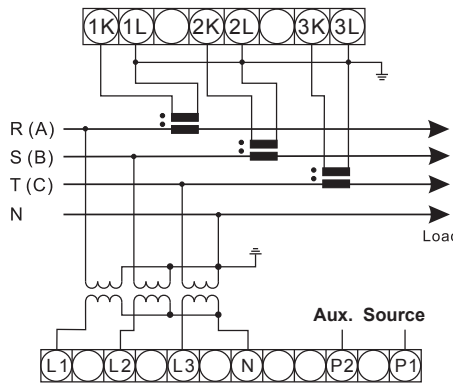
Relay Outputs



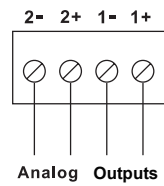
3 Phase 3 Wire (2CT)



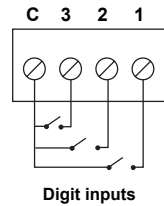
3 Phase 4 Wire



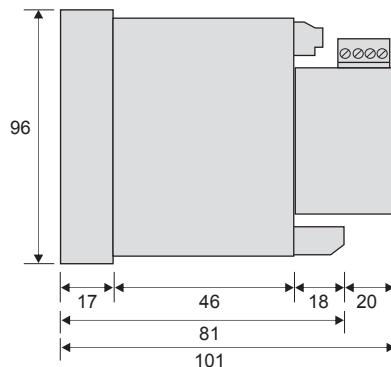
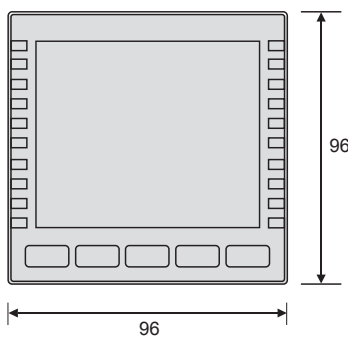
Analog Outputs



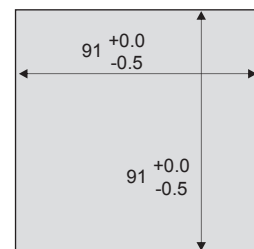
Digit Inputs



DIMENSIONS (Unit: mm)



PANEL CUT-OUT



TAIK ELECTRIC CO., LTD.

4TH FL., NO. 5, ALLEY 11, LANE 327, CHUNGSHAN RD.,
SEC. 2, CHUNGHE DISTRICT, NEW TAIPEI CITY, TAIWAN, R.O.C.
TEL: (02)2242-6825 <http://www.taik.com.tw>
FAX: (02)2242-6827 E-mail: taikco@ms15.hinet.net



ISO 9001: 2008 Certified
FM 40649